

THE BRAND OF BAASKE MEDICAL



e-medical™ Silence TP 2

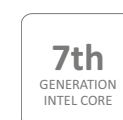
21.5" fanless medical Panel PC

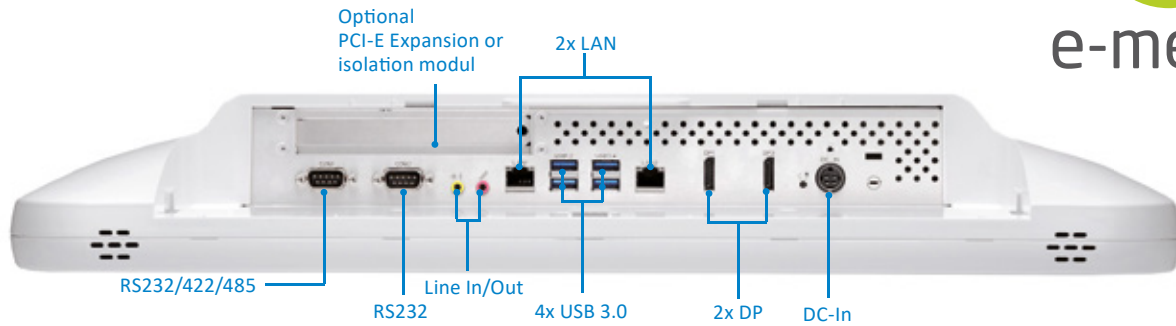


The medical all-in-one panel PC **e-medical™ Silence TP2** is designed to meet worldwide medical safety standards. (UL/cUL 60601-1 and IEC60601-1). It meets the high requirements of diverse of clinical applications. For example the TP 2 is used, in EMR systems, anesthesia applications and in the operating theatre. A powerful computer that combines PC, display, speaker and optional battery in one device. In addition, the completely closed antibacterial housing is resist against chemical disinfection. Further to the excellent hygienic properties, the e-medical™ Silence TP2 has a number of features that make the daily work of clinics and hospitals easier. For example, Intel® Vpro technology, which enables intelligent remote control management, or real-time streaming of FHD videos, which supports real-time imaging.

Benefits:

- › Intel® Core™ 6th and 7th Gen. up to i7
- › Energy Efficient LED Backlight Panel
- › Easy to clean - wipeable closed housing
- › Versatile - 7 kg light weight
- › external UPS is not needed - internal battery can be installed
- › Cost-reducing - maintenance-free, changeable screen foil





Technical Data e-medical™ Silence TP 2 BTO

Item No.	2011900	
Processor	Intel® Skylake 6th Gen. / Kaby Lake 7th Gen. Core i5	Intel® Skylake 6th Gen. / Kaby Lake 7th Gen. Core i7
Chipset	SoC	
RAM	16 GB max.; DDR4 SODIMM; 2133 MHz; Dual Channel	
Hard disks	500 GB HDD / 128 GB SSD / 256 GB SSD / 512 GB SSD	
Compatible OS	Windows 7 embedded, Windows 7 pro, Windows 8 embedded, Windows 8 industrial, Windows 10 (not included in the scope of delivery)	
Graphics	Intel® integrated HD Graphics 520 by CPU	
External interfaces	4x USB 3.0; 2x Display Port; 1x Line In; 1x Line Out; 1x RS-232; 1x RS-232/422/485:RS485	
LAN	2x Gigabit LAN	
Isolated ports (optional)	1x RS-232; 1x RS-232/422/485:RS485; 1x LAN; 1x USB (need to occupy PCI-E slot)	
Internal slots	1x PCI-e x4; 2x Mini PCI-e	
Operating elements	Projected to the front: capacitive; power on/off; brightness; backlight on/off; volume; touch on/off	
Power supply	Medical; external; 100 W, 90 ~ 264 V AC In, 12 V DC Out; 2.4 m DC cable; DC input connector with lock function	
Casing	Front: Full flat design; rear: antibacterial + I/O cover + additional potential equalization pin; closed; fanless; white; incl. speakers	
Dimensions (WHD)	540 x 375 x 78 mm	
Optional	Bluetooth / WLAN b, g, n; RFID; Lithium-ion battery - 53W/40 min; 3.2 MP WebCam; antibacterial desktop stand; TPM	
Weight	approx. 7.0 kg (without power supply)	
Mounting	VESA 75 / 100	
Cooling system	Direct channel Heatpipe / fanless	
Temperature (operation)	0°C up to 35°C	
Temperature (storage)	-20°C up to 60°C	
Humidity (operation)	10 % up to 90 % (non-condensing)	
Humidity (storage)	10 % up to 90 % (non-condensing)	
IP protection class	IP65 front / IPx0 back	
Standards	cUL; CE; 60601-1 3rd Edition; EN 60601-1:2006, FCC/CE/VCCI Class B; cULus Mark/UL60601-1; EN60601-1; ISO 14971/ IEC-62133; Energy Star 6.1 compliance	
Warranty	2 years; up to 5 years expandable	

LCD Panel Specifications

Panel	21.5" LED Backlight
Touch technology	PCT Multi-Touch; 10 finger; glove operation
Resolution	1920 x 1080 (Full HD)
Contrast	1000:1 typical
Brightness	250 cd/m² typical
Viewing angle	Wide View 170°/ 160° typical
Hardness grade display	7H